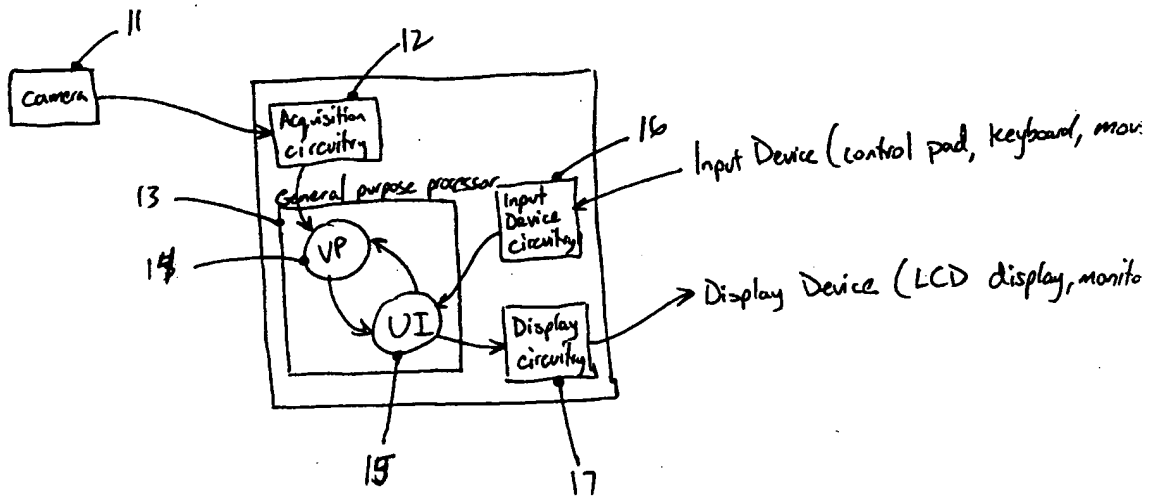
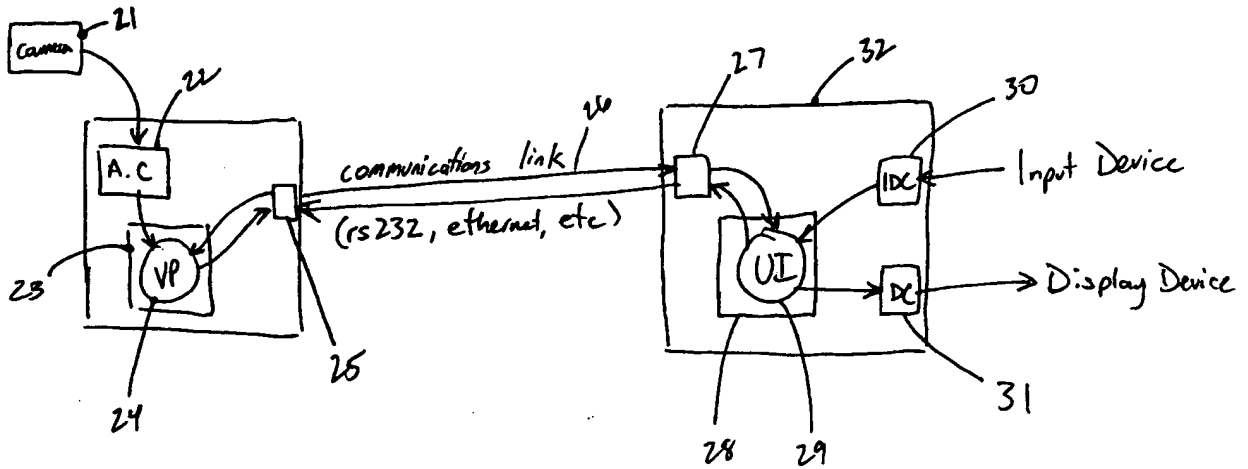


FIG 1 single computer vision system



PRIOR ART

FIG 2 Dual computer vision system



PRIOR ART

FIG 3 UI connecting to many VPs via a network

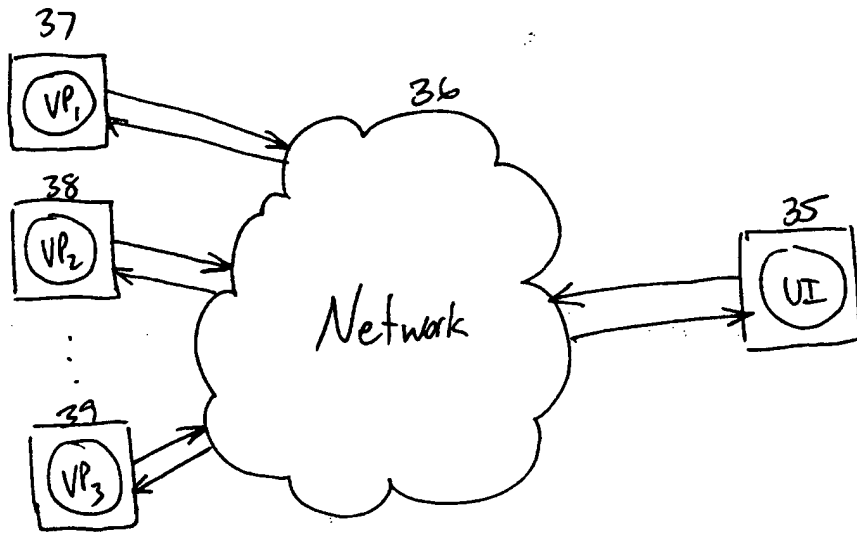
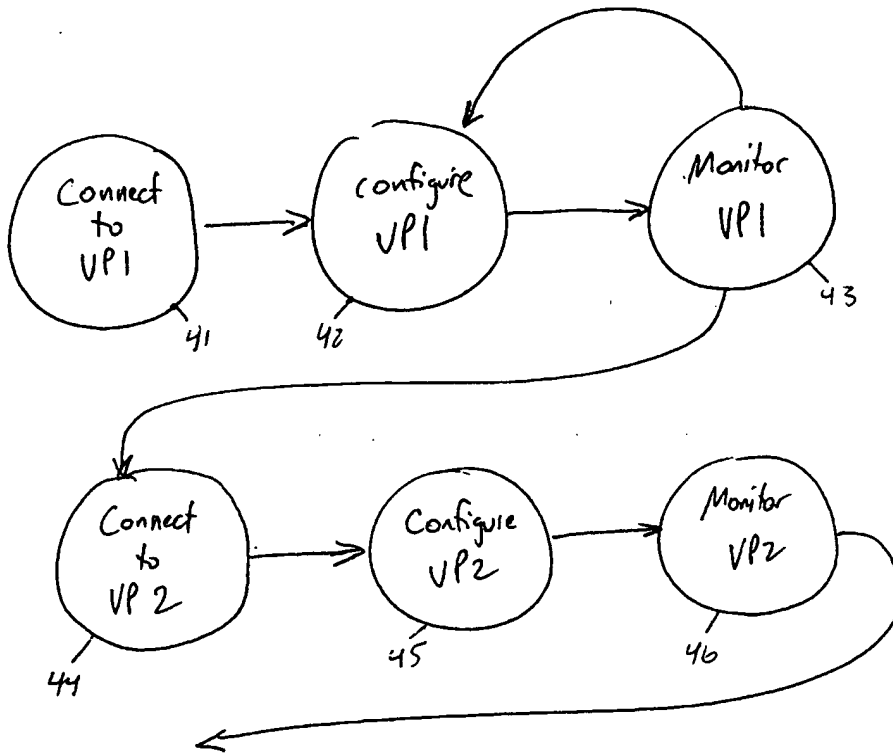


FIG 4 Connection, configuration, and monitoring by a developer



PRIOR ART

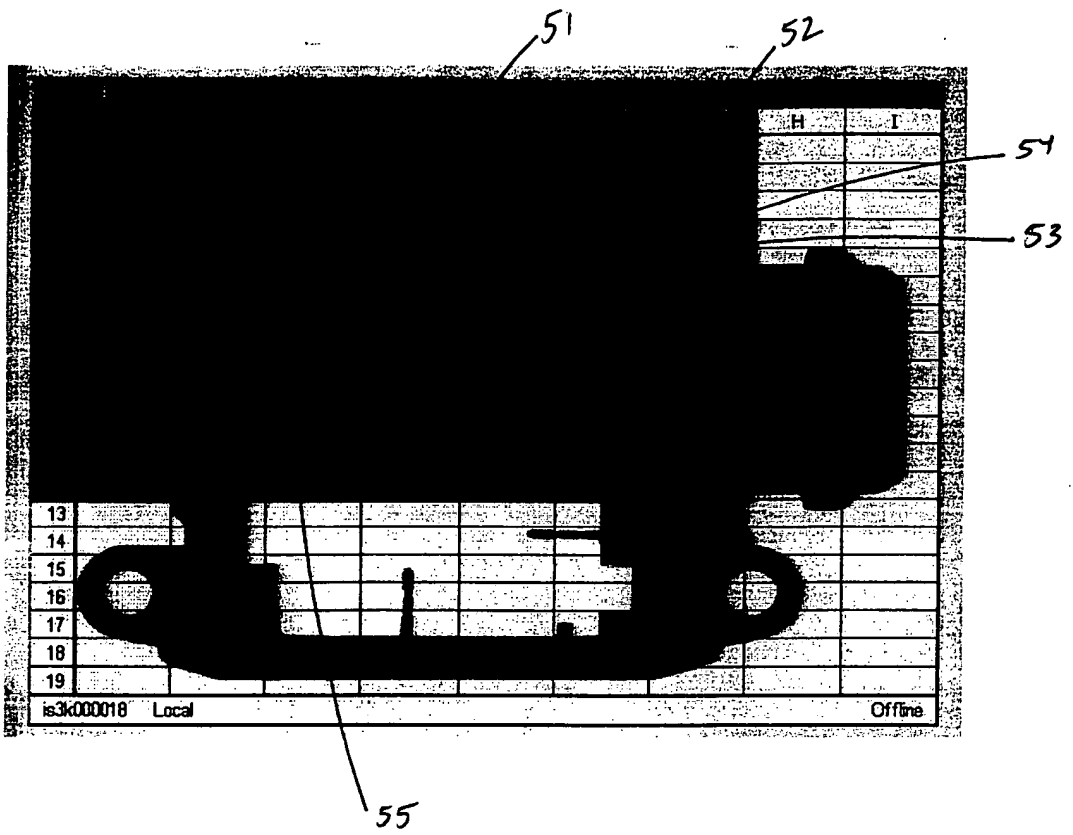
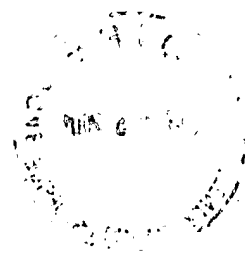


FIG 5



61 62 63 64 65 6

A2=	ReadBarCode(\$A\$0,0,0,0,215,70,50,900,0,0,0)	
	Parameter	Value
0	Image	Image
1	Fixture	(0,0,0)
2	Row	
3	Column	
4	Theta	
5	Region	(2)
6	X	
7	Y	
8	High	
9	x Wide	
10	Angle	
11	Code Type	
12	Show	hide all

Type

67 68

OK Cancel

FIG 6

